



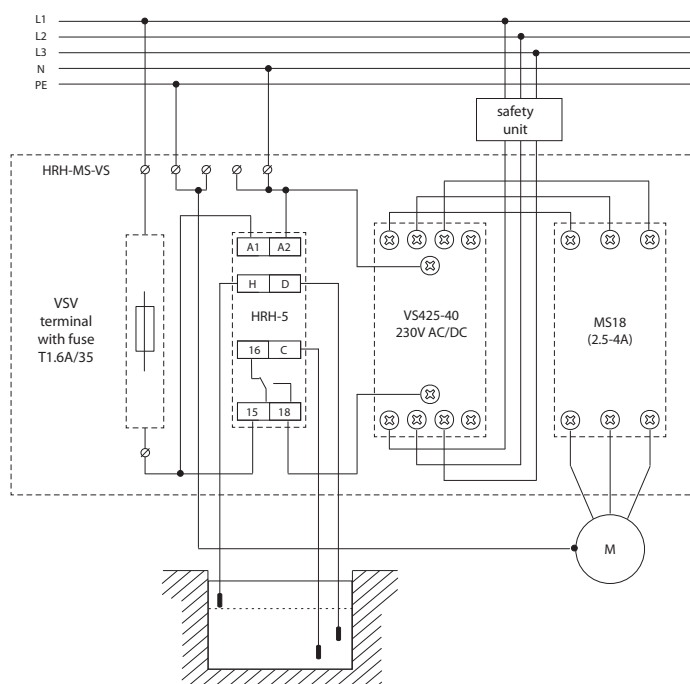
EAN code
HRH-MS-VS-4A: 8595188150712

Technical parameters	HRH-MS-VS-4A
Function:	2
Voltage range:	230/400 V (AC 50/60 Hz)
Input (max.):	4.6 VA/2 W
Toleration of voltage range:	-15 %; +10 %
Measuring circuit	
Sensitivity (input impedance):	adjustable in range 5 kΩ - 100 kΩ
Voltage on the electrodes:	max. AC 3.5 V
Current in probes:	AC < 0.1 mA
Time response:	max. 400 ms
Max. capacity of probe cable:	800 nF (sensitivity 5 kΩ), 100 nF (sensitivity 100 kΩ)
Time delay (t):	adjustable, 0.5 - 10 sec
Time delay after switching on (t1):	1.5 sec
Accuracy:	
Setting accuracy (mech.):	± 5 %
Output	
Number of contacts:	4
Rated thermal current:	25 A
Load on AC3:	4 A
Switching voltage:	400 V AC
Electric life (A3):	500.000 operations
Current setting range MS18:	2.5 - 4 A
Other information	
Operating temperature:	-20 °C to 55 °C (-4 °F to 131 °F)
Storage temperature:	-25 °C to 70 °C (-13 °F to 158 °F)
Dielectrical strength:	3.75 kV (supply - probe)
Operating position:	any
Protection degree:	IP65 set
Pollution degree:	2
Dimension:	201 x 202 x 120 mm (7.9 x 7.9 x 4.7")
Weight:	1358 g (47.9 oz.)
Related standards:	EN 60255-1, EN 60255-26, EN 60255-27, EN 60669-1, EN 60669-2-1
Recommended measuring probes:	see pg. 126

- Level sets are used to monitor levels in wells, reservoirs, tanks...
- Advantage is the possibility of setting PUMP UP and PUMP DOWN and also delayed switching (e.g. in case of level fluctuations).
- The possibility of connection to 1 or 3-phase pump (depending on the type of set).
- Easy to install without complicated wiring - ready for installation.
- There are Level sets placed in switchboard with IP65 protection (protected against dust and against water jets)
 - HRH-VS: level switch HRH-5 with installation contactor VS425-40 (25 A contact).
 - HRH-MS-VS-4A: level switch HRH-5 with installation contactor VS425-40 (25 A contact) and with motor starter MS18 2.5-4 A.

Connection

Level set HRH-MS-VS-4A



Functions

PUMP DOWN function (DOWN) used for protection against Idle Running or against overflow and flooding areas.

Detecting the maximum level results in activation of adjusted delayed response. After that output contact immediately turns on single or 3-phase pump, until it reaches the minimum level. Then the pump turns off.

In case that a reservoir is made of a conductive material, e.g. metal tanks, there can be a difference in connection of HRH-5 level sets - it is not necessary to put inside a common probe „C“ and connect with SHR-2 probe, but thanks to conductivity of vessel we can connect probe C to the reservoir body.

The length of wire cable (between the level switch and probe) can be up to 50 m. We don't recommend placing near the power lines, because the sensitivity of equipment can be affected and thus the entire functionality.

Recommended accessories:

- 3 wire cable D03VV-F 3x0,75/3,2
- 1 wire cable D05V-K 0,75/3,2
- SHR-2 probe - probe covered by PVC (protected) - used in moderately polluted waters, drilling, wells. Assembly - hanging in the well.