



EAN code
eLAN-RS485/232: 8595188170260

Technical parameters

eLAN-RS485/232

Interface Ethernet

ETH operating status indicator:	green LED
ETH communication indicator:	yellow LED
Communications interface:	100 Mbps (RJ45)
IP address support:	static, DHCP client
Factory setting:	DHCP client

Interface RS485

Broadcast indication:	red LED
Connector:	PUSH IN max 1.5 mm ²
Bus termination on the eLAN-RS side:	120 Ω resistor (implemented inside the eLAN-RS485/232)
Range:	500 m (depending on used cable and communication speed)
Communication speed:	adjustable, max. 230.4 Kbps
Max. connection:	32 devices
Communication:	half-duplex transmission
Type of communication:	MODBUS - RTU, TCP - RS485 Bridge, EZS Jablotron, Air Pohoda, LG PI485, Daikin RTD-NET, Cairox, Mitsubishi Melcobems MINI, Misolsr
Parity setting:	none, odd, even
Length:	5/6/7/8 bit
Stop bit:	1/2

Interface RS232

Broadcast indication:	red LED
Connector:	PUSH IN max 1.5 mm ²
Range:	50 m (depending on used cable and communication speed)
Communication speed:	adjustable, max. 230.4 Kbps
Max. connection:	1 device
Communication:	full-duplex transmission
Type of communication:	MODBUS - RTU, TCP - RS232 Bridge, EZS Paradox, Aseko
Parity setting:	none, odd, even
Length:	5/6/7/8 bit
Stop bit:	1/2

Power supply

Indication:	yellow LED STATUS
Supply voltage/current:	10-27 V DC/200 mA SELV
Power:	adapter with connector Jack Ø 2.1 mm (part of supply) Passive PoE or connector USB-B
Supply voltage indication:	green LED POWER
Button RESET:	To factory settings
Power source:	230 V AC/12 V DC supplied with the data logger

Operating conditions

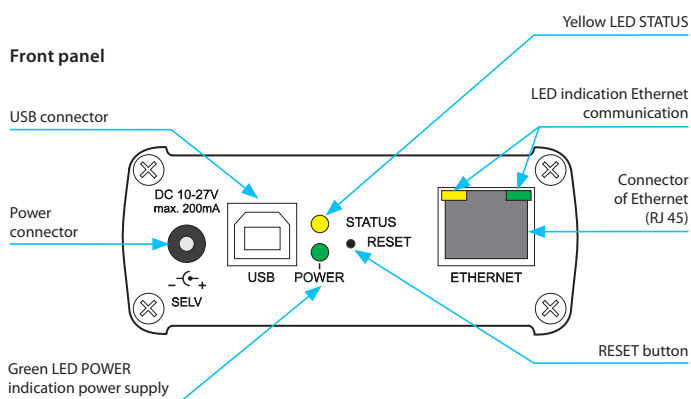
Operating temperature:	-20 to +55 °C
Storage temperature:	-25 to +70 °C
Protection degree:	IP20
Pollution degree:	2
Operation position:	arbitrary
Installation:	free
Design:	design box

Dimensions and weight

Dimensions:	90 x 52 x 65 mm
Weight:	110 g

- The eLAN-RS485/232 is used to communicate with devices communicating via the Modbus RTU protocol, with the converter acting as a master unit.
- eLAN-RS485/232 is equipped with a web interface to configure the connected devices.
- Thanks to the web interface, the eLAN-RS485/232 can be used as a stand-alone device.
- eLAN-RS485/232 is integrated into the Connection Server, which makes it possible to control the connected technology through iNELS Home Control (iHC). Thus, it is possible to control, for example, ventilation systems and heat recovery from NILAN.
- It can be also used as a converter for data conversion from ESS systems like Jablotron or Paradox.
- The eLAN-RS485/232 is equipped with A, B and GND terminals for connection to the RS485 serial line on the back panel, as well as a signalling diode to indicate the status.
- The front panel features an RJ45 connector to connect to the Ethernet via a network cable.
- The power supply of the eLAN-RS485/232 is possible via a 10-27 V DC adapter (adapter included) or through a 24 V DC PoE, e.g. directly from a switch or PoE injector.
- The eLAN-RS485/232 requires the RS485 serial interface to be connected in line and to comply with all policy and installation requirements of this interface.

Example of connection



Back panel

